



Product Description

The KBC ESUG8P Ethernet series is an unmanaged industrial switch designed for use in a wide range of operating temperatures in non-environmentally conditioned, industrial applications. The switch provides connectivity for up to eight 10/100/1000 Mbps twisted pair copper ports which are capable of supplying IEEE802.3at PoE. The eight fixed RJ45 ports are automatically configured and, with plug-and-play design, the switch provides ease and speed of installation.

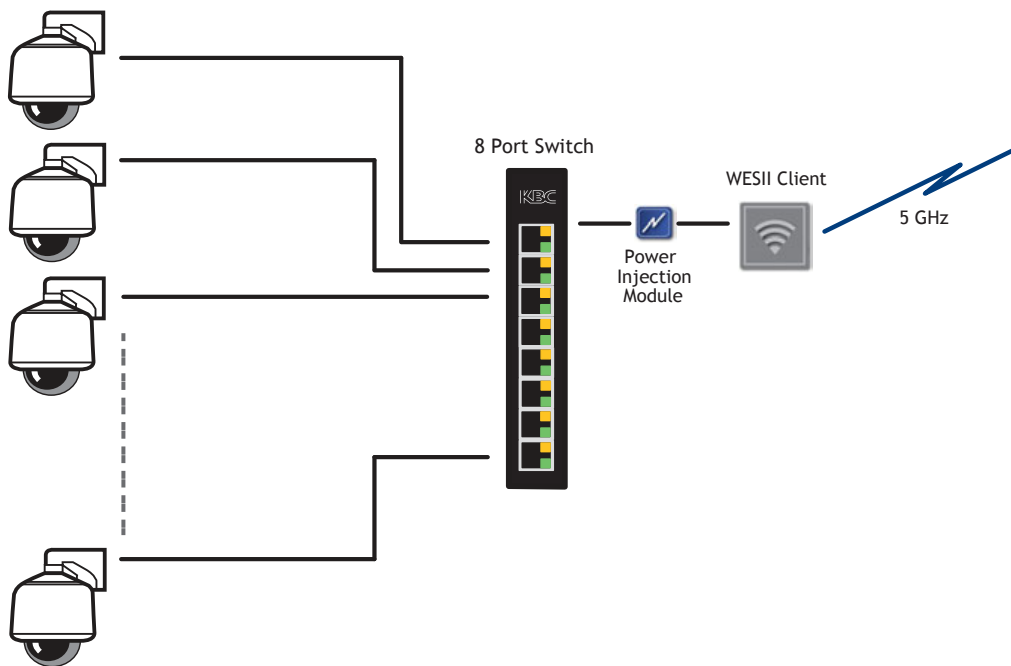
The series is available in either DIN rail or wall-mount configuration.



Product Features

- IEEE802.3at on 8 ports
- Dual redundant power input
- Power failure alarm output
- Full & half duplex operation
- MDI/MDI-X
- IP30 protection class

Typical System Configuration



IP Cameras - up to 7
(IEEE802.3at)

Specifications

Standards

IEEE Standard	IEEE 802.3 10BASE-T IEEE 802.3u 100BASE-TX IEEE 802.3ab 1000BASE-T IEEE 802.3x Full Duplex
---------------	-----------------------------------------------------------------------------------------------------

Switch Performance

Switching Method	Store & forward
Transfer Rate	14,881pps 148,810 pps 1,488,100 pps

Backplane Switch Capacity	16 Gbps
Mac Address Table	2k

PoE

Standard	IEEE 802.3at
Power Supplied (per port)	30W @+50Vdc

Contact Closure Alarm Output

Output	Normally closed
Switch rating	1A @24Vdc

Power

Power Input	50-57Vdc Dual redundant
Power Consumption	8W (no PoE) 250W (full load PoE)
Power Supply ⁽¹⁾	Supplied separately

Mechanical

Casing	IP30 protection
Dimensions (W x H x D)	27mm x 145mm x 95mm (1.07" x 5.71" x 3.74")
Weight	390g / 13.75oz
Installation ⁽¹⁾	Wall-mount or DIN rail

Environmental

Operating Temperature	-40° ~+70° C / -40° ~+158° F
Storage Temperature	-40° ~+85° C / -40° ~+185° F
Operating Humidity	5 to 95% non-condensing

Connectors

10/100 /1000 Electrical Power ⁽²⁾	8 x RJ45 6-way screw block terminal
----------------------------------------------	----------------------------------------

Approvals

FCC Part 15, CISPR (EN55022)	Class A
CE EN6100-4-2	
CE EN6100-4-3	
CE EN6100-4-4	
CE EN6100-4-5	
CE EN6100-4-6	
CE EN6100-4-8	
CE EN6100-4-11	
IEC60068-2-27 (Shock)	
IEC60068-2-32 (Free fall)	
IEC60068-2-6 (Vibration)	
IEC60950-1 (Safety)	

Part Number

ESUG8P-D

1. Unit is supplied with both DIN rail and wall-mount fittings.

Due to ongoing technological improvements, product specifications are subject to change without notice. KBC is not liable for any errors, omissions or changes of any description of the goods contained herein. This information is for the sole purpose of identifying the products, and KBC makes no warranty that the products conform to any description contained herein. Do not rely solely on any representations, statements, or assertions concerning these Products contained herein.